

PART NAME: KNOB

SCALE: 1:1

DATE: 9/2/97

DR. BY HD



DESIGNERS & MANUFACTURERS  
OF KNOBS, HANDLES, CASES &  
CUSTOM PLASTIC COMPONENTS

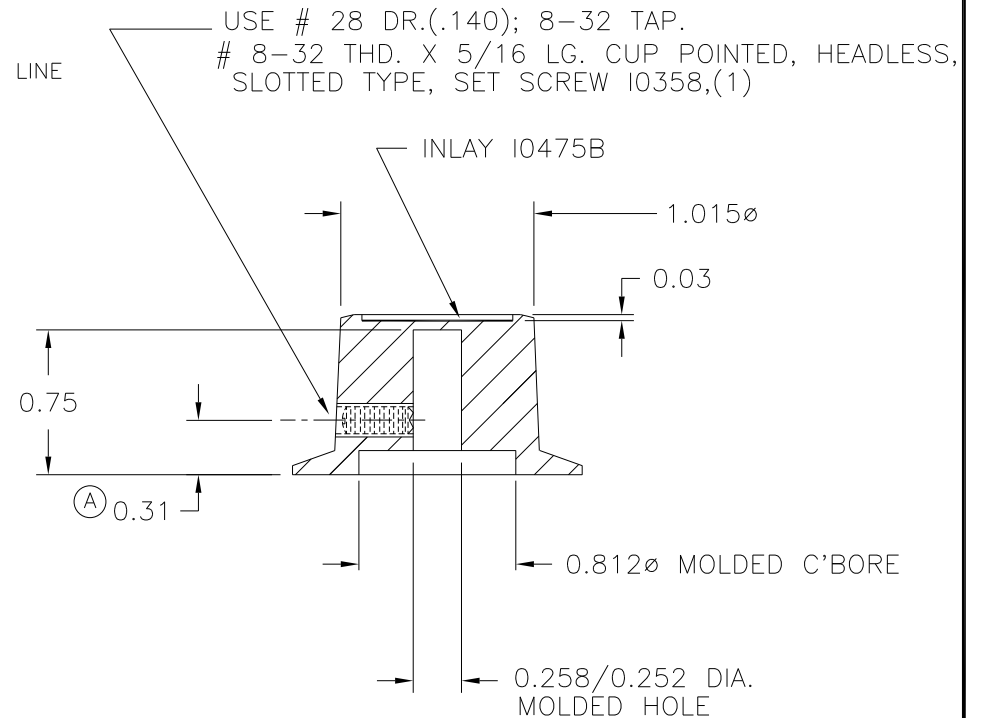
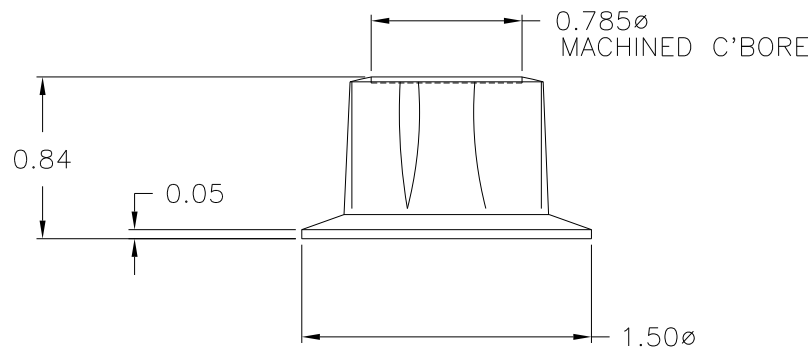
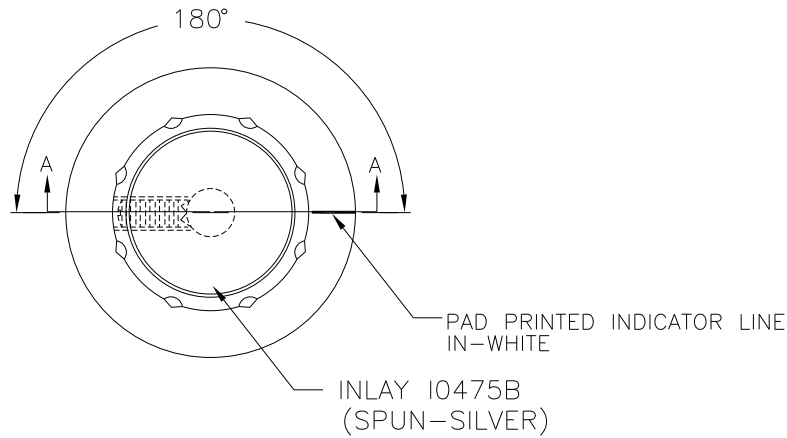
P/N 1930BQ

BASE PART 1930-01

SET SCREW I0358

INLAY I0475B

THIS DRAWING IS THE PROPERTY OF DAVIES MOLDING COMPANY, IS SUBMITTED SOLELY AS A DESIGN OR ENGINEERING PROJECT.  
WE ACCEPT NO RESPONSIBILITY WHATSOEVER FOR THE PRACTICAL APPLICATION OF THE PIECES MADE TO THIS DESIGN.



SECTION A-A

MATERIAL : G.P. PHENOLIC (B11)

TOLERANCES: UNLESS OTHERWISE SPECIFIED	DO NOT SCALE DRAWING				
DECIMALS: X.XXX ± .005 X.XX ± .015	MM: X.XX ± 0.15MM X.X ± 0.4MM	A	WAS 9/32	JAM	2/27/12
FRACTIONS ± 1/64	ANG. ± 1°	-	UPDATED TOOLBOX	JAM	10/15/02
CHANGES					