

PART NAME: HANDLE SCALE: 1:1 DATE: 12/12/89 DRN. BY: HD

THIS DRAWING IS THE PROPERTY OF DAVIES MOLDING COMPANY, IS SUBMITTED SOLELY AS A DESIGN OR ENGINEERING PROJECT. WE ACCEPT NO RESPONSIBILITY WHATSOEVER FOR THE PRACTICAL APPLICATION OF THE PIECES MADE TO THIS DESIGN.



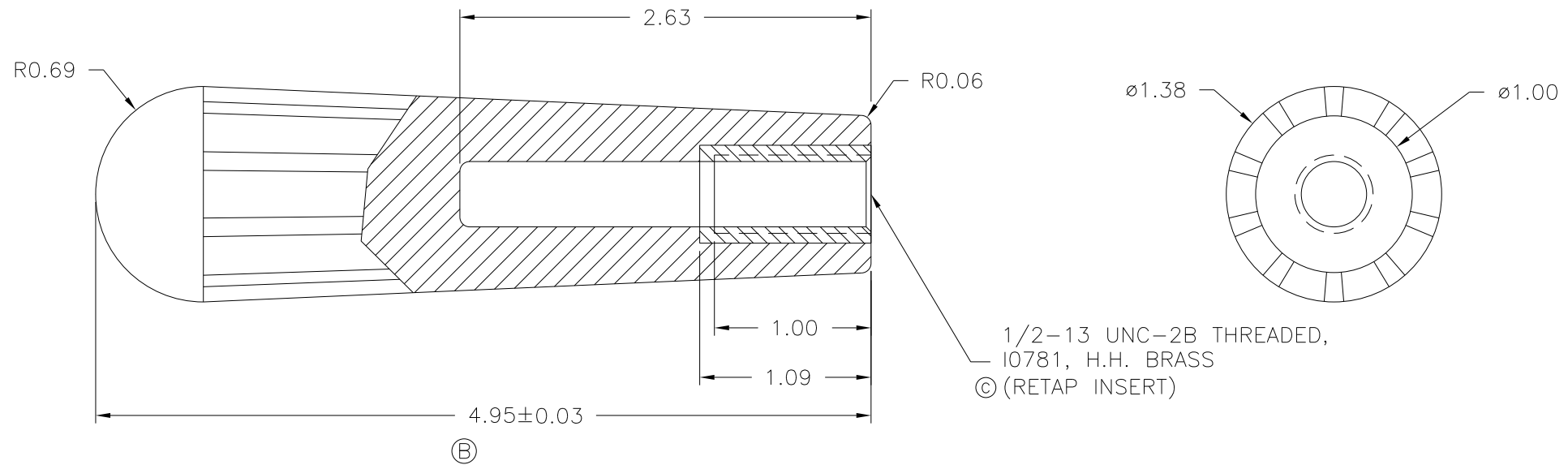
DESIGNERS & MANUFACTURERS OF KNOBS, HANDLES, CASES & CUSTOM PLASTIC COMPONENTS

P/N 0730-F

BASE PART 0730-03

Ⓓ

Ⓐ



MATERIAL: #4311 PLENCO PHENOLIC (B41)
COLOR: BLACK

TOLERANCES: UNLESS OTHERWISE SPECIFIED	DO NOT SCALE DRAWING	D	ADDED BASE PART	JAM	4/24/13
		C	ADDED RETAP OPERATION	JAM	4/6/06
DECIMALS: X.XXX ± .005 X.XX ± .015	MM: X.XX ± 0.15MM X.X ± 0.4MM	-	RE-DID REDRAW	TL	12/3/99
		B	WAS 5.06	MP	12/3/96
FRACTIONS ± 1/64	ANG. ± 1°	A	CAD REDRAW WAS 698-1	HD	6/14/95
		CHANGES			

